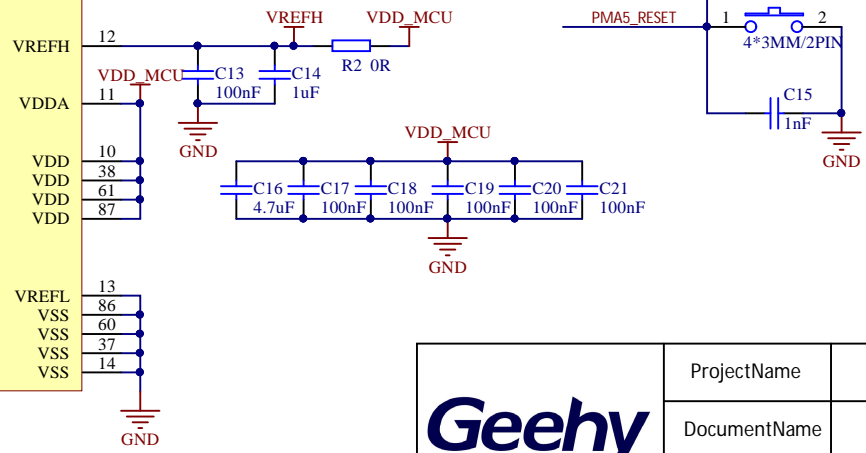
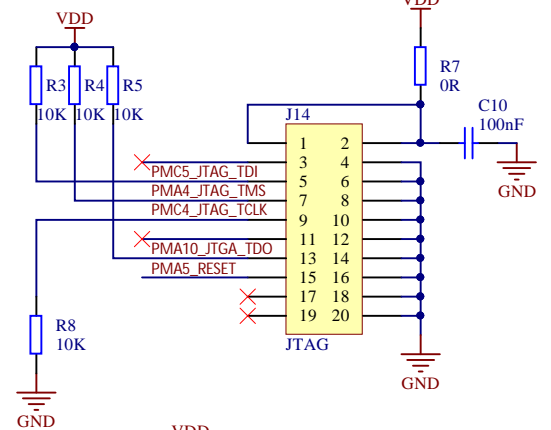
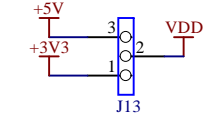
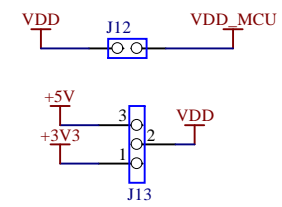
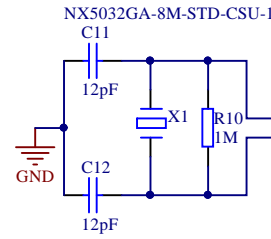


Geehy	ProjectName	G32A1445 EVAL V1.0		
	DocumentName	Power		
	Page Number	1/6	Date	20240925

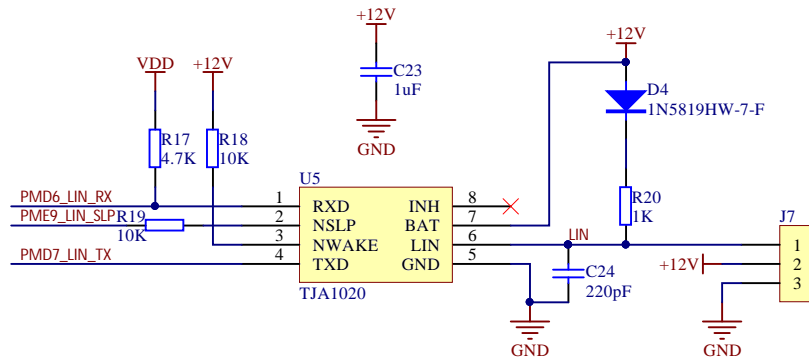
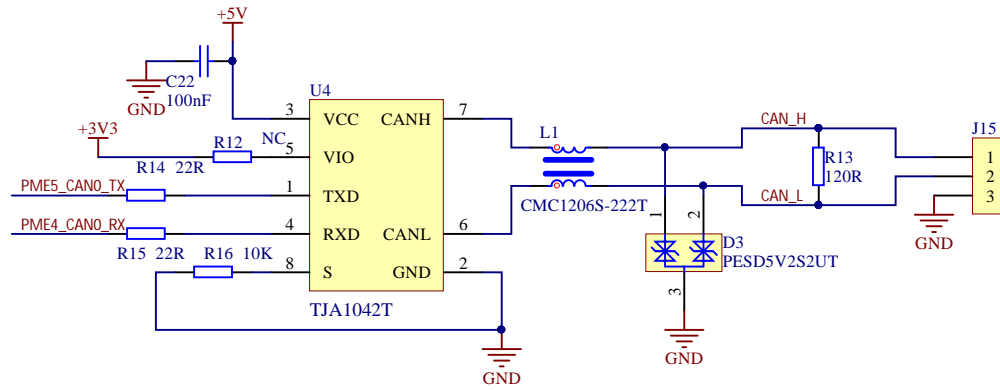
U3

PMA0	79	PMA0	PMD0	4	PMD0	PMD0_LED1
PMA1	78	PMA1	PMD1	3	PMD1	
PMA2	73	PMA2	PMD2	71	PMD2	
PMA3	72	PMA3	PMD3	70	PMD3	
PMA4	PMA4_JTAG_TMS98	PMA4/JTAG_TMS/SWD_DIO	PMD4	69	PMD4	
PMA5	PMA5_RESET	PMA5/TCLK1/RESET_b	PMD5	33	PMD5	
PMA6	58	PMA6	PMD6	32	PMD6	PMD6_LIN_RX
PMA7	57	PMA7	PMD7	31	PMD7	PMD7_LIN_TX
PMA8	100	PMA8	PMD8	42	PMD8	
PMA9	99	PMA9	PMD9	41	PMD9	
PMA10	PMA10_JTGA_TDO92	PMA10/JTAG_TDO	PMD10	36	PMD10	
PMA11	91	PMA11	PMD11	35	PMD11	
PMA12	90	PMA12	PMD12	34	PMD12	
PMA13	89	PMA13	PMD13	25	PMD13	
PMA14	88	PMA14	PMD14	24	PMD14	
PMA15	83	PMA15	PMD15	22	PMD15	PMD15_LED2
PMA16	82	PMA16	PMD16	21	PMD16	PMD16_LED3
PMA17	62	PMA17	PMD17	20	PMD17	
PMB0	54	PMB0	PME0	94	PME0	
PMB1	53	PMB1	PME1	93	PME1	
PMB2	48	PMB2	PME2	85	PME2	
PMB3	47	PMB3	PME3	18	PME3	
PMB4	28	PMB4	PME4	9	PME4	PME4_CAN0_RX
PMB5	27	PMB5	PME5	8	PME5	PME5_CAN0_TX
PMB6	16	PMB6	PME6	84	PME6	
PMB7	15	PMB7	PME7	59	PME7	
PMB8	77	PMB8	PME8	26	PME8	
PMB9	76	PMB9	PME9	23	PME9	PME9_LIN_SLP
PMB10	75	PMB10	PME10	6	PME10	
PMB11	74	PMB11	PME11	5	PME11	
PMB12	68	PMB12	PME12	19	PME12	
PMB13	67	PMB13	PME13	7	PME13	
PMB14	66	PMB14	PME14	17	PME14	
PMB15	65	PMB15	PME15	2	PME15	
PMB16	64	PMB16	PME16	1	PME16	
PMB17	63	PMB17				
PMC0	PMC0_TOUCH	40	PMC0			
PMC1	PMC1_TOUCH	39	PMC1			
PMC2	PMC2_TOUCH	30	PMC2			
PMC3	PMC3_TOUCH	29	PMC3			
PMC4	PMC4_JTAG_TCLK	96	PMC4/JTAG_TCLK/SWD_CLK			
PMC5	PMC5_JTAG_TDI	95	PMC5/JTAG_TDI			
PMC6	PMC6_UART1_RX	81	PMC6			
PMC7	PMC7_UART1_TX	80	PMC7			
PMC8	56	PMC8				
PMC9	55	PMC9				
PMC10	52	PMC10				
PMC11	51	PMC11				
PMC12	PMC12_KEY1	50	PMC12			
PMC13	PMC13_KEY2	49	PMC13			
PMC14	PMC14_ADC0_SE12	46	PMC14			
PMC15	45	PMC15				
PMC16	44	PMC16				
PMC17	43	PMC17				

G32A1445

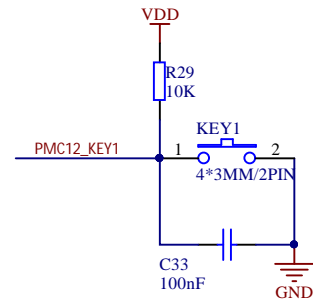
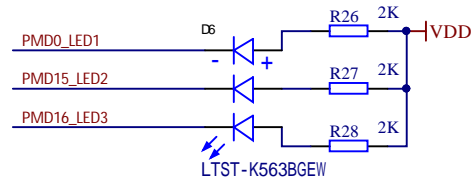
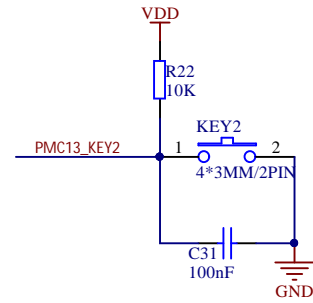
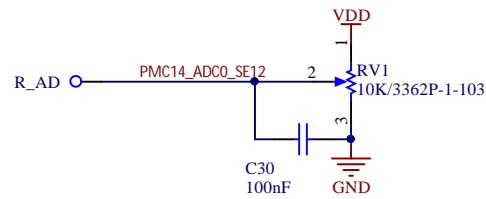


	ProjectName	G32A1445 EVAL V1.0		
	DocumentName	MCU		
	Page Number	2/6	Date	20240925

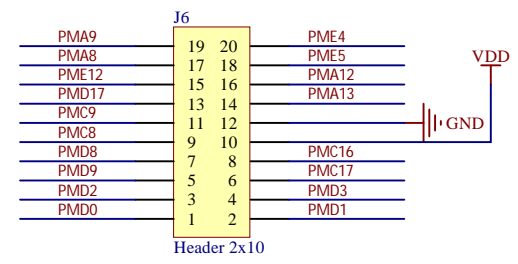
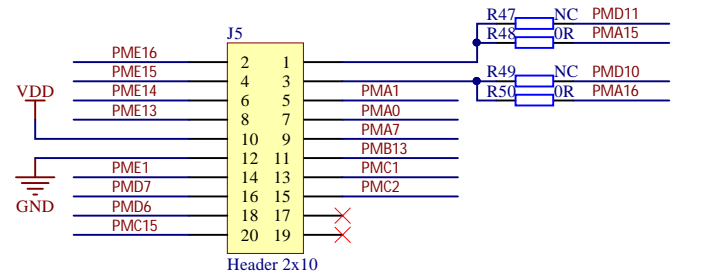
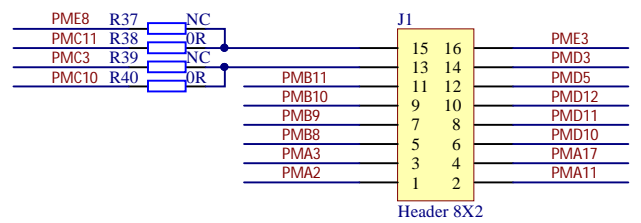
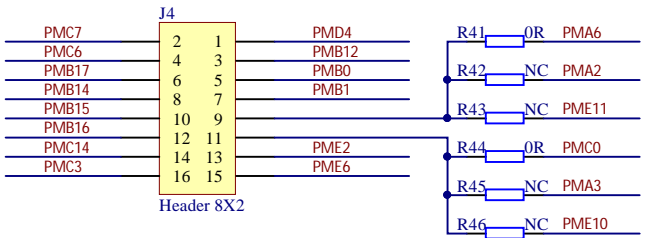
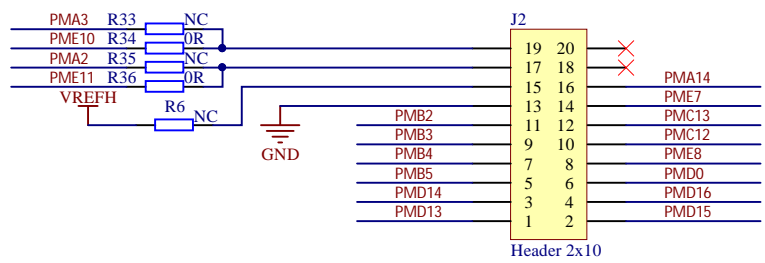
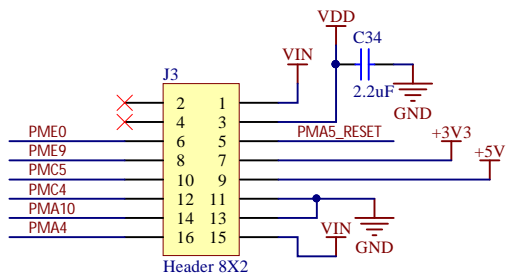


Geehy

ProjectName	G32A1445 EVAL V1.0		
DocumentName	CAN&LIN		
Page Number	4/6	Date	20240925



ProjectName	G32A1445 EVAL V1.0		
DocumentName	IO Peripherals		
Page Number	5/6	Date	20240925



ProjectName	G32A1445 EVAL V1.0		
DocumentName	GPIO		
Page Number	6/6	Date	20240925